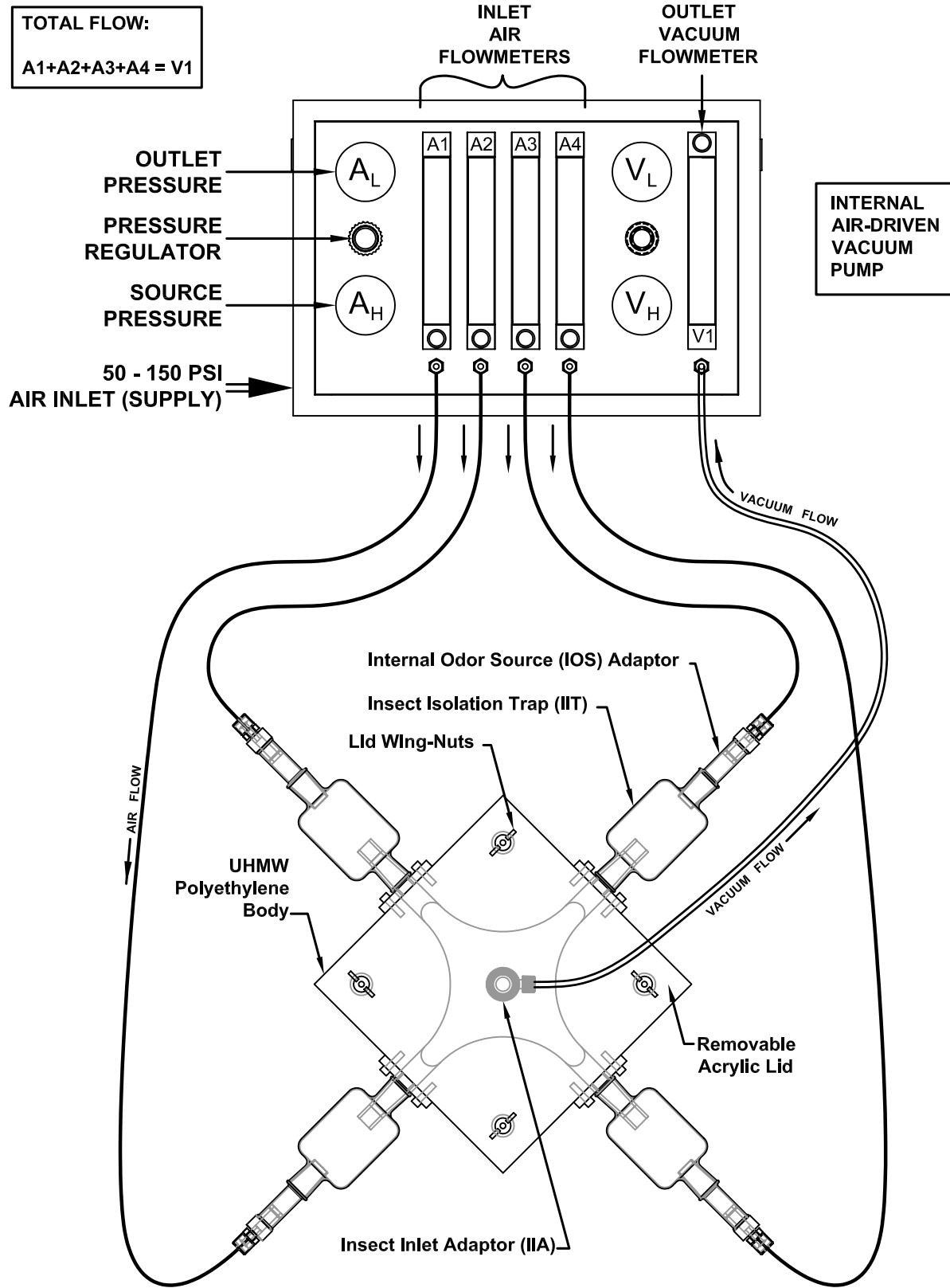


4-CHOICE OLFACTOMETER - Complete System Diagram



Drawing #1

ENGINEER:	ARA MANUKIAN	DATE:	2/25/2005
DRAFTSMAN:	DAVID THIRLWELL	NO:	4-C-OLF-VAC-ADS
PROJECT:	ARS 4-Choice Olfactometer System Diagram		



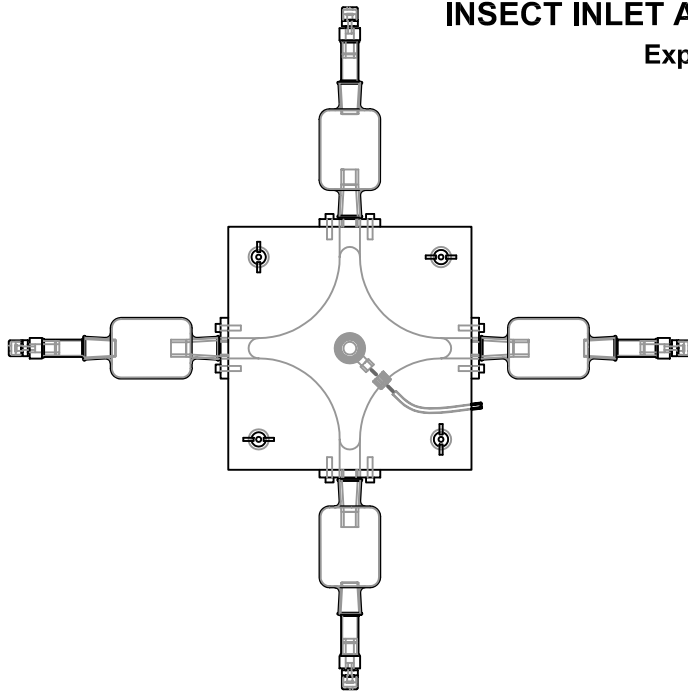
Analytical Research Systems, Inc. Tel: 352.466.0051
 P.O. Box 140218 Gainesville, FL 32614 Fax: 352.466.0055

WARNING : DO NOT COPY : PROPRIETARY INFORMATION

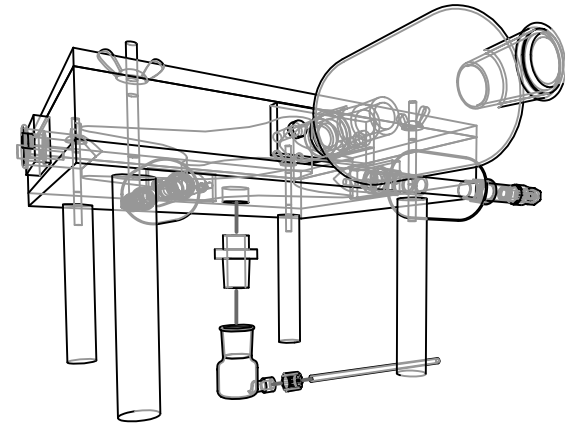
All Ideas, concepts, and designs, are the sole intellectual property of ARS, inc. and this customer. This information shall not be disclosed to any third parties without the permission of ARS, inc.

INSECT INLET ADAPTOR (IIA) ASSEMBLY

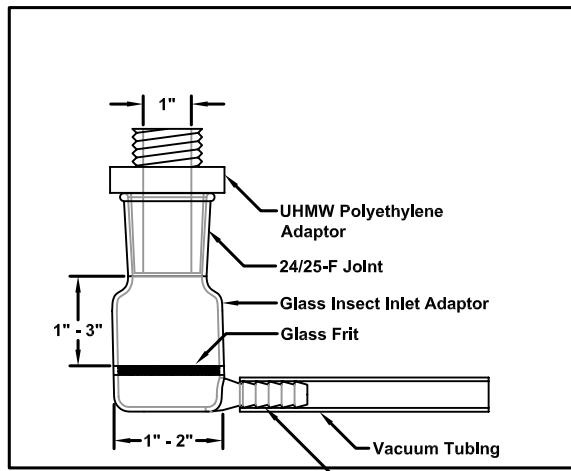
Exploded Diagrams



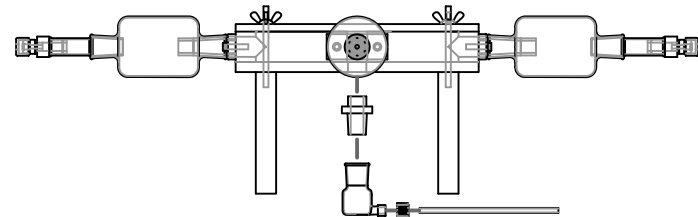
Top View



Perspective View



Enlarged Assembled View



Side View

Drawing #2

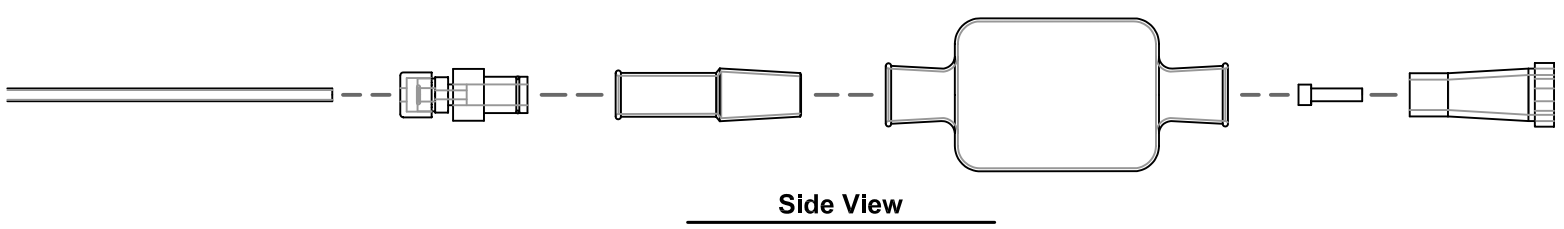
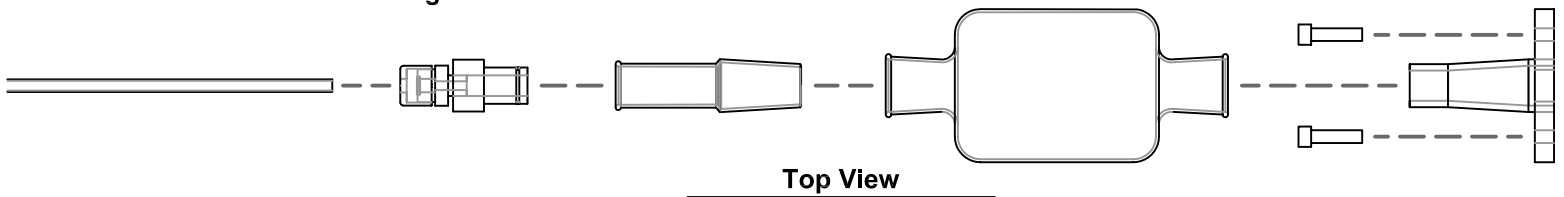
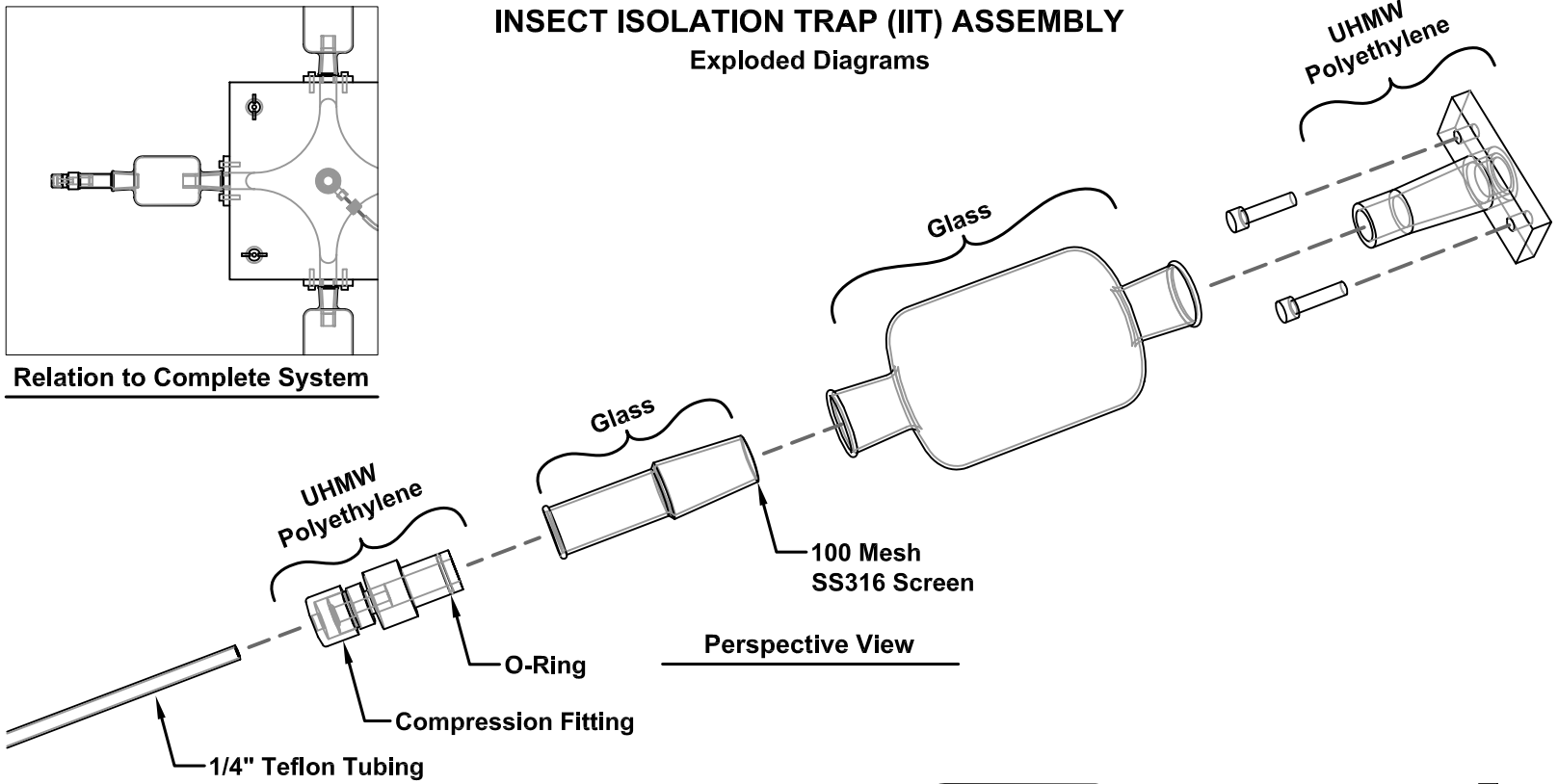
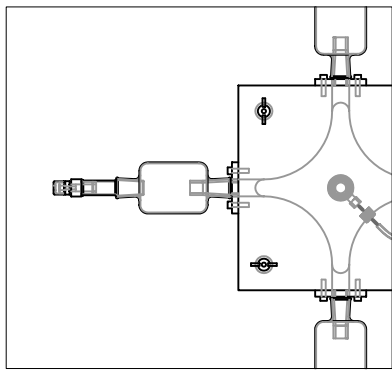
ENGINEER:	ARA MANUKIAN	DATE:	2/29/2005
DRAFTSMAN:	DAVID THIRLWELL	NO.:	4-C-OL-F-VAC-ADS
PROJECT:	ARS 4-Choice Olfactometer System Diagram - Insect Inlet Adaptor (IIA) Assembly		



Analytical Research Systems, Inc.
 P.O. Box 140218 Gainesville, FL 32614
 Tel: 352.466.0051
 Fax: 352.466.0055

WARNING - DO NOT COPY: PROPRIETARY INFORMATION
 All ideas, concepts, and designs, are the sole intellectual property of ARS, Inc. and this customer. This information shall not be disclosed to any third parties without the permission of ARS, Inc.

INSECT ISOLATION TRAP (IIT) ASSEMBLY Exploded Diagrams



Drawing #3

ENGINEER:	ARA MANUKIAN	DATE:	2/29/2005
DRAFTSMAN:	DAVID THIRLWELL	NO.:	4-C-OL-F-VAC-ADS
PROJECT:	ARS 4-Choice Olfactometer System Diagram - Insect Isolation Trap (IIT) Assembly		



Analytical Research Systems, Inc.
 P.O. Box 140218 Gainesville, FL 32614
 Tel: 352.466.0051
 Fax: 352.466.0055

WARNING: DO NOT COPY: PROPRIETARY INFORMATION
 All ideas, concepts, and designs, are the sole intellectual property of ARS, Inc. and this customer. This information shall not be disclosed to any third parties without the permission of ARS, Inc.